

EM-J4-M3503 Docking Station

Emrys Industries



The EM-J4-M3503 Docking Station was developed for the [EM-J4 MARI Series Drone](#), it became available in [ye_35](#).

About the M3503

The M3503 is used to stow the drone securely when it is not in use. It provides physical security, and data and power ports that the drone can access. The docking station consists of the wall unit and two movable armatures. When the drone is not in it, they swing up against the wall. When the drone enters the dock they swing down, and then close in on the drone to secure it. The power connector can be seen on the rear.



Details

Manufacturer: [emrys_industries](#)

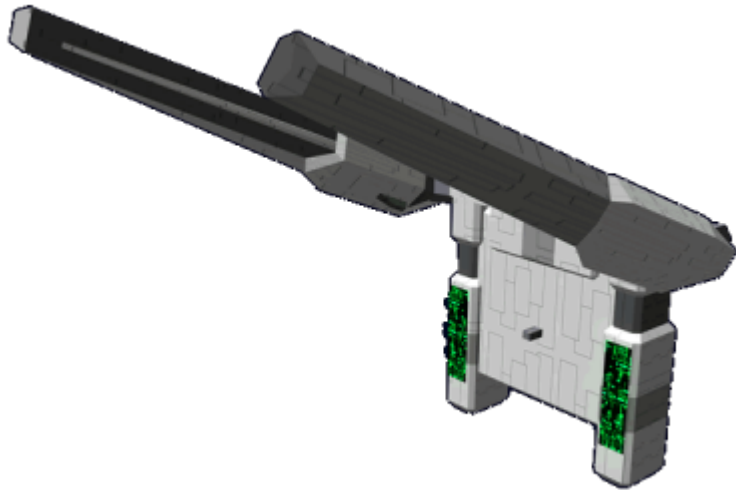
Nomenclature: EM-J4-M3503

Type: Security

Class: Miscellaneous

Designer: [research](#)

Cost: 50 ks



From:

<https://starmy.com/wiki/> - **STAR ARMY**

Permanent link:

https://starmy.com/wiki/doku.php?id=corp:emrys:em_j4_m3503&rev=1479305323

Last update: **2016/11/16 06:08**

